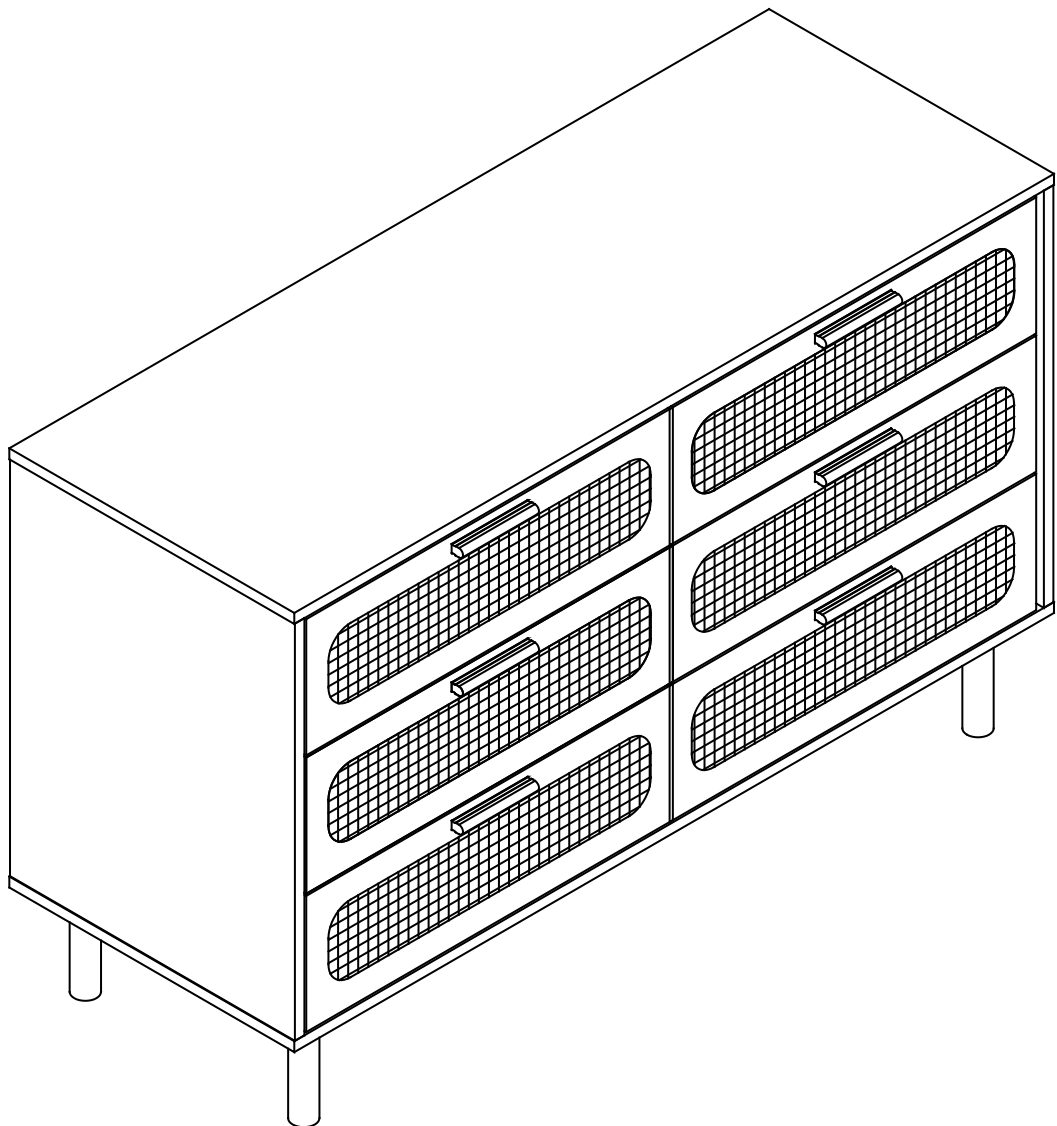


Canyon

Six Drawer

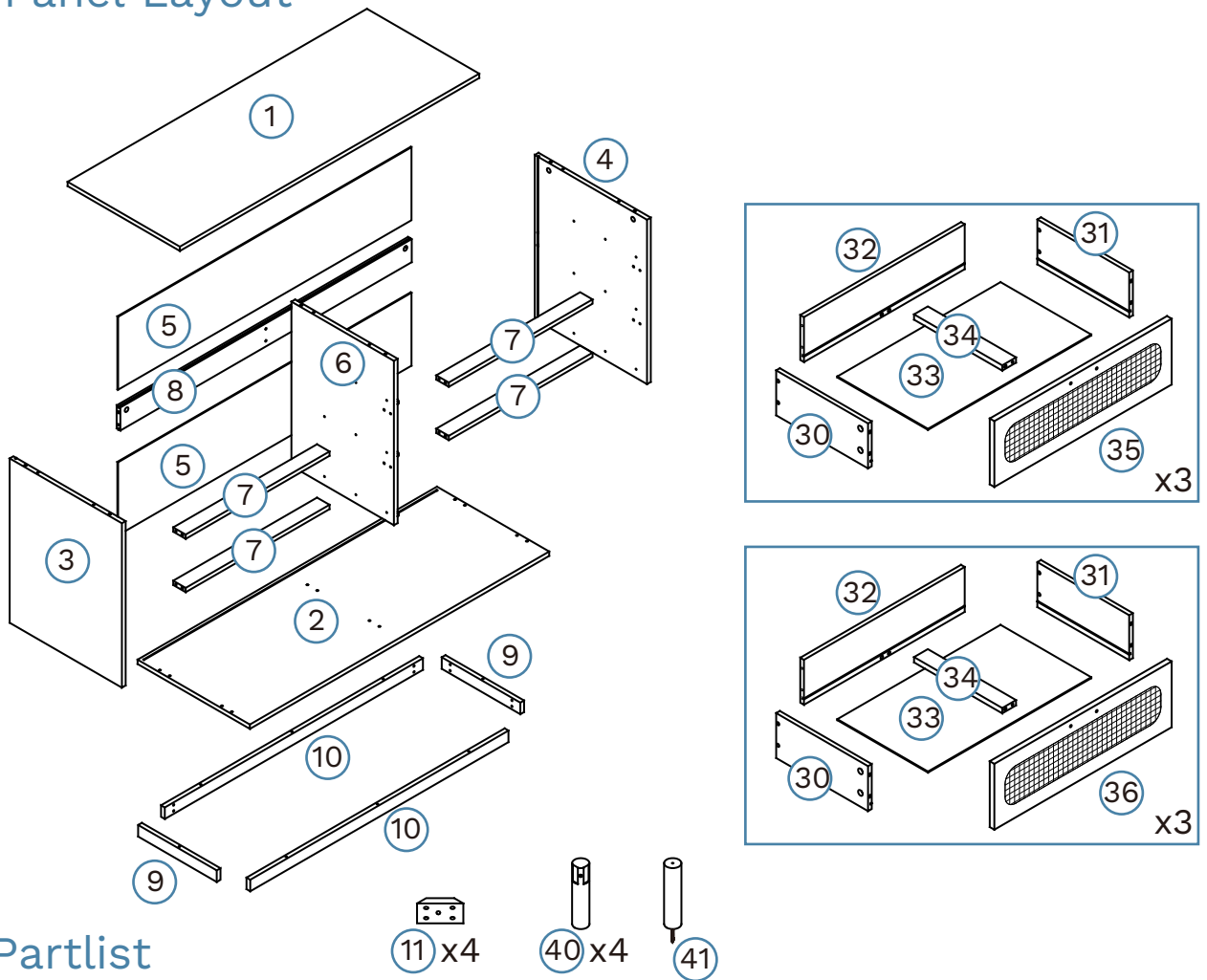
Thank you for your purchase. Please follow the instructions for correct assembly. While we took great effort to ensure these assembly instructions were correct at the time of printing, sometimes updates are required post production. For the most up to date versions please refer to the product page on our website. mocka.com.au/mocka.co.nz



Canyon

Six Drawer

Panel Layout















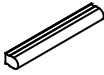


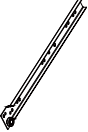
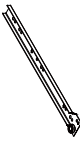
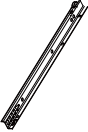



Partlist

①	Top Panel	x1	⑪	Block	x4
②	Bottom Panel	x1	③①	Left Drawer Side	x6
③	Left Side Panel	x1	③②	Right Drawer Side	x6
④	Right Side Panel	x1	③③	Drawer Back	x6
⑤	Back Panel	x2	③④	Drawer Base	x6
⑥	Divider	x1	③⑤	Rail	x6
⑦	Rail	x4	③⑥	Drawer Front	x3
⑧	Rail	x1	④①	Drawer Front	x3
⑨	Rail	x2	④②	leg	x4
⑩	Rail	x2	④③	Support Leg	x1

Canyon

Six Drawer

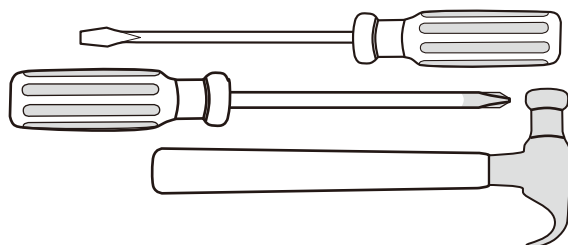
A  dowel x24	B  long screw x16	C  bolt x46	D  locking nut x46	E  screw x60	F  bolt x4	G  wedge x8
H  screw x8	I  allen Key x1	J  washer x4	K  seal x4	L  plastic glide x4	M  screw x36	N  screw x28
O  handle x6	P  long dowel x2	Q  adjuster x1	CL  slide rail x6	CR  slide rail x6	DL  slide rail x6	DR  slide rail x6

HARDWARE SUPPLIED

V  safety strap x2	W  screw x 2	X  wall anchor x 2	Y  wall screw x 2	Z  washer x 4
---	---	---	--	--

WALL STRAP

WARNING: Any furniture that is not anchored to a wall has the potential to tip over in certain circumstances, i.e. if a child attempts to climb up on the furniture or in the event of an earthquake. Accordingly, we recommend that all furniture is anchored to a wall. We supply a free safety wall anchor with all furniture sold and we recommend these are used to prevent your product tipping. The fixing device provided should fit most wall types, but please note that different wall materials may require different fixing devices from those supplied.



Phillips & Flathead screwdrivers
and hammer required

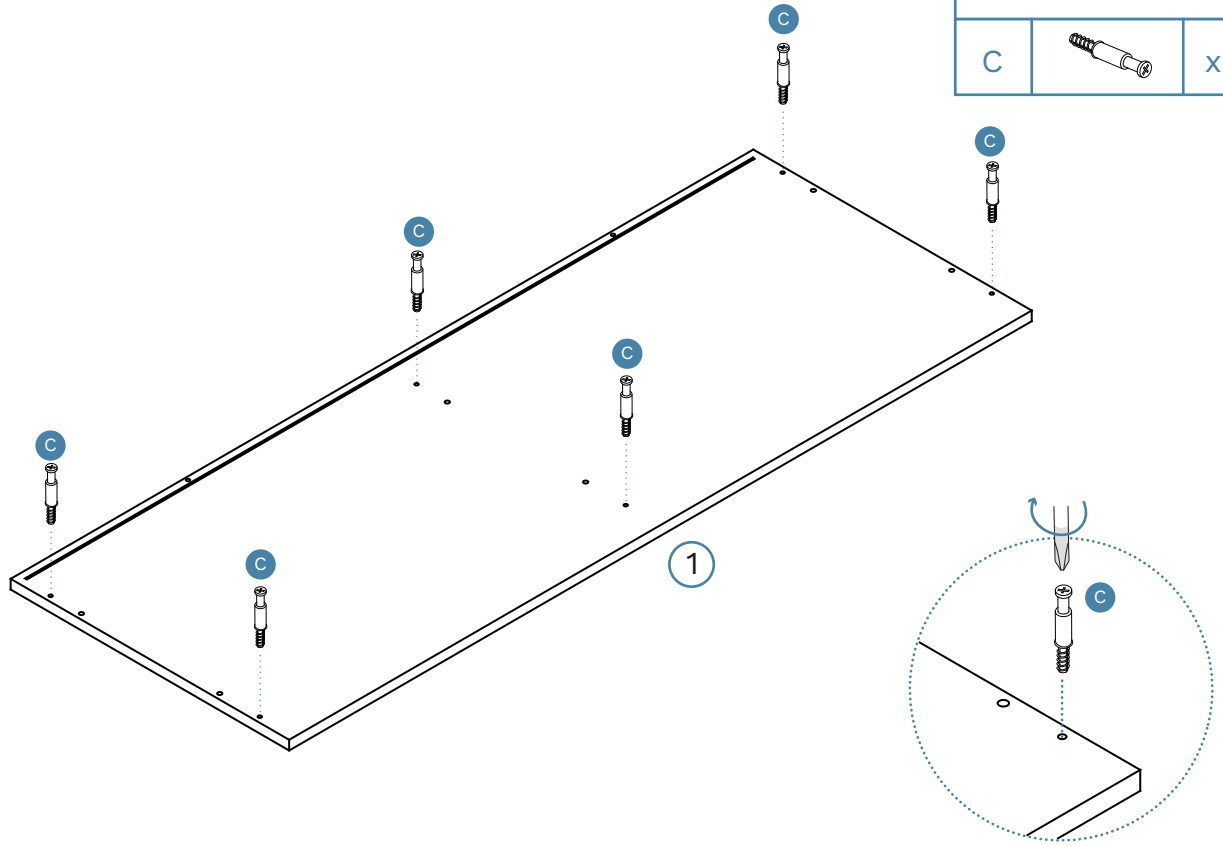
For quicker assembly, we recommend the use of a power drill on a low-speed setting.


Mocka.

Canyon

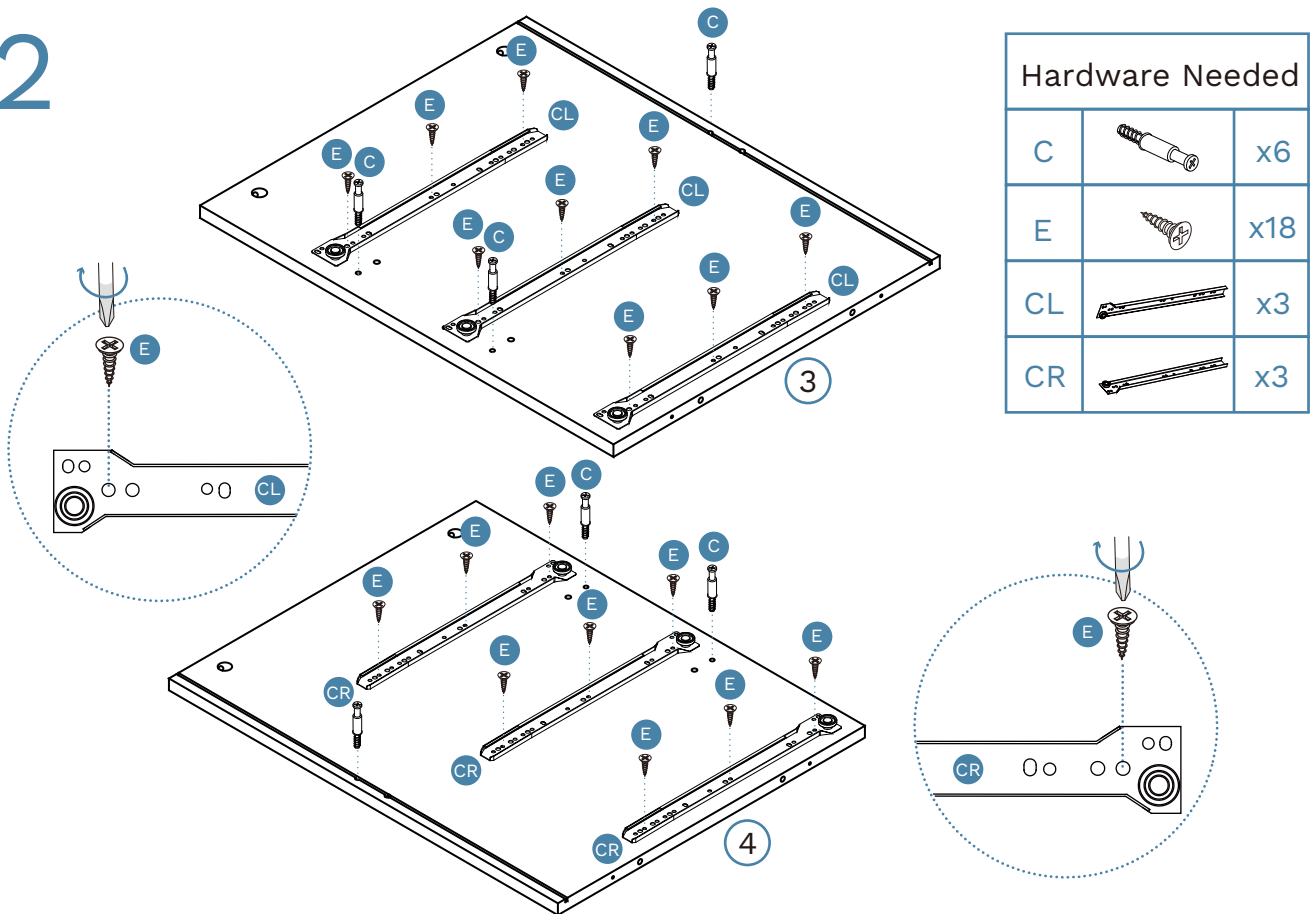
Six Drawer





1



Hardware Needed		
C		x6

2

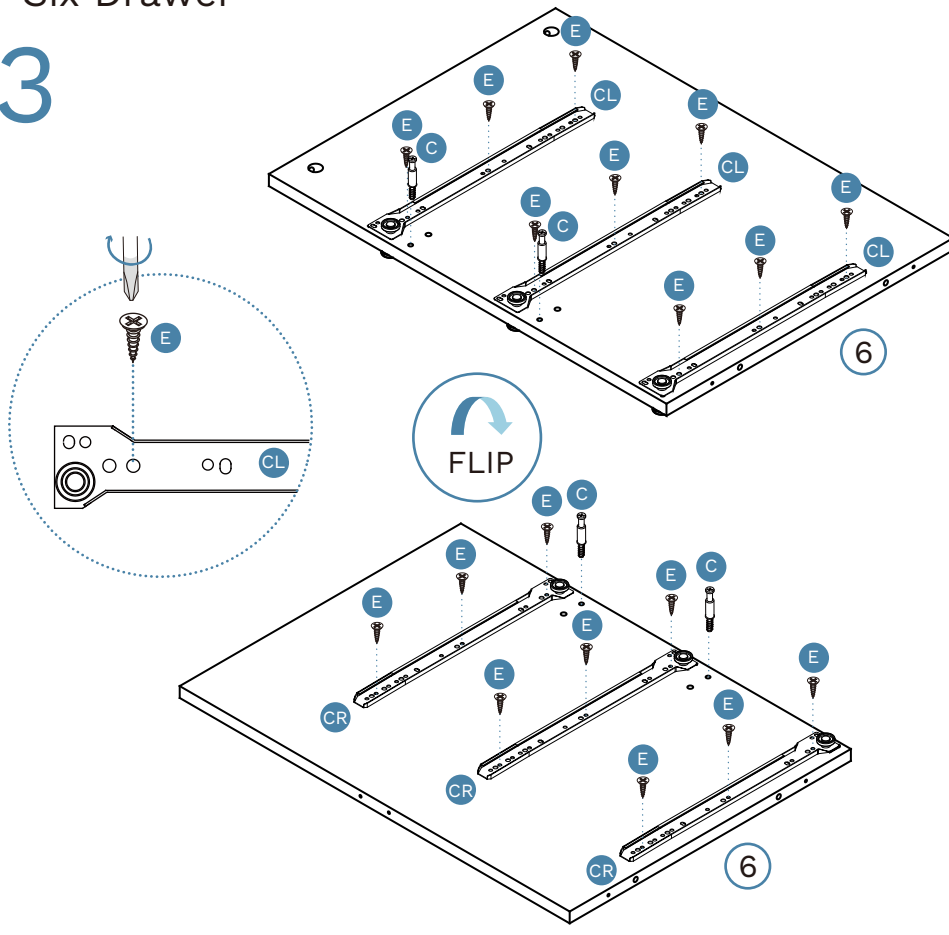


Hardware Needed		
C		x6
E		x18
CL		x3
CR		x3

Canyon

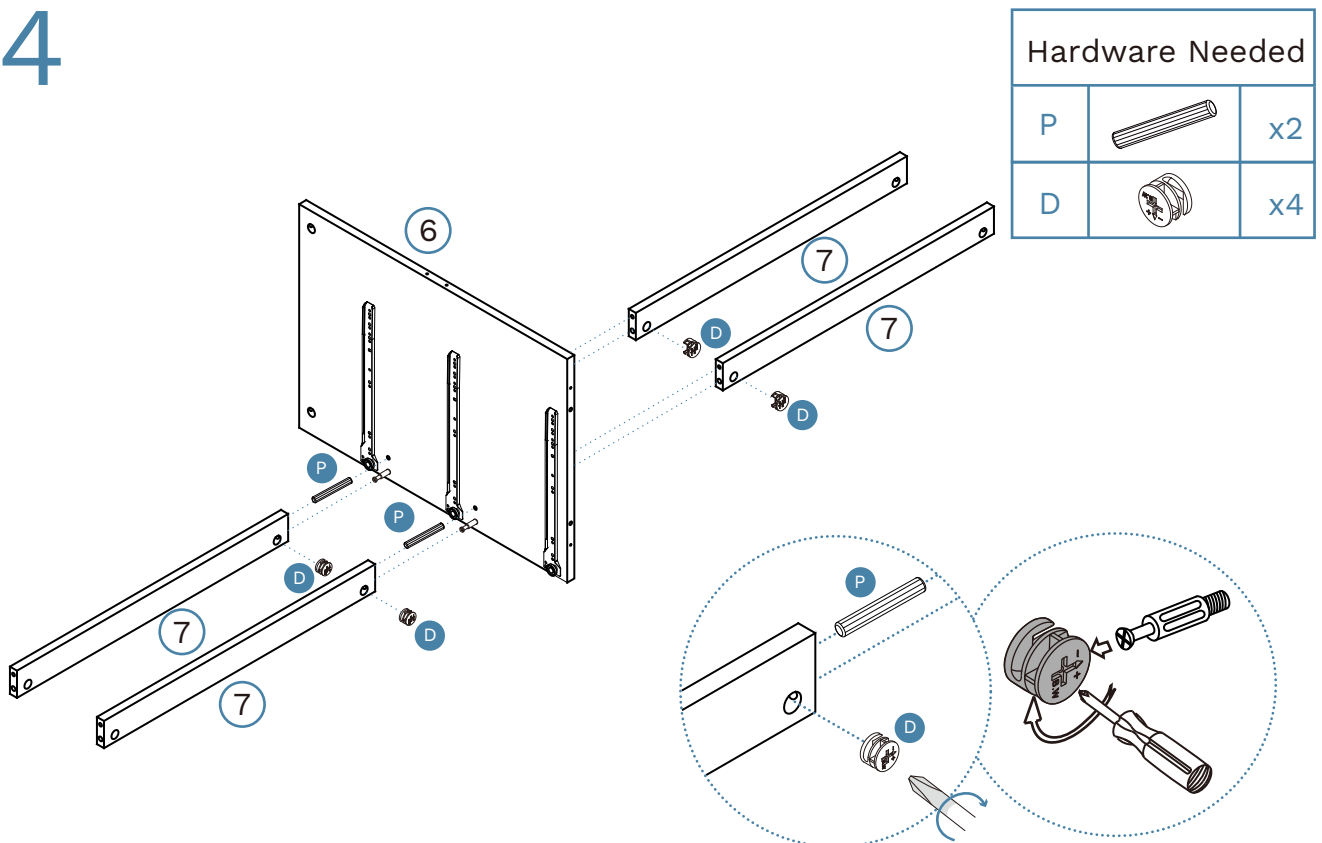
Six Drawer

3



Hardware Needed		
C		x4
E		x18
CL		x3
CR		x3

4

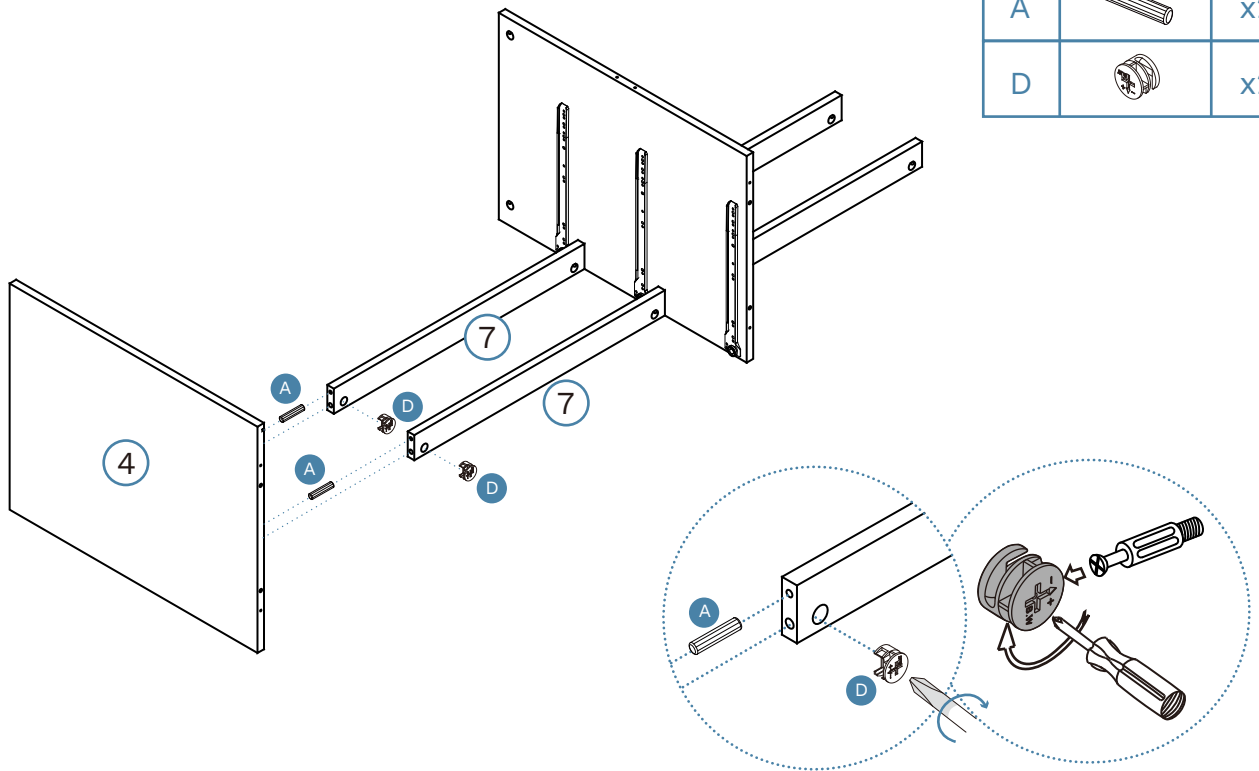


Hardware Needed		
P		x2
D		x4

Canyon

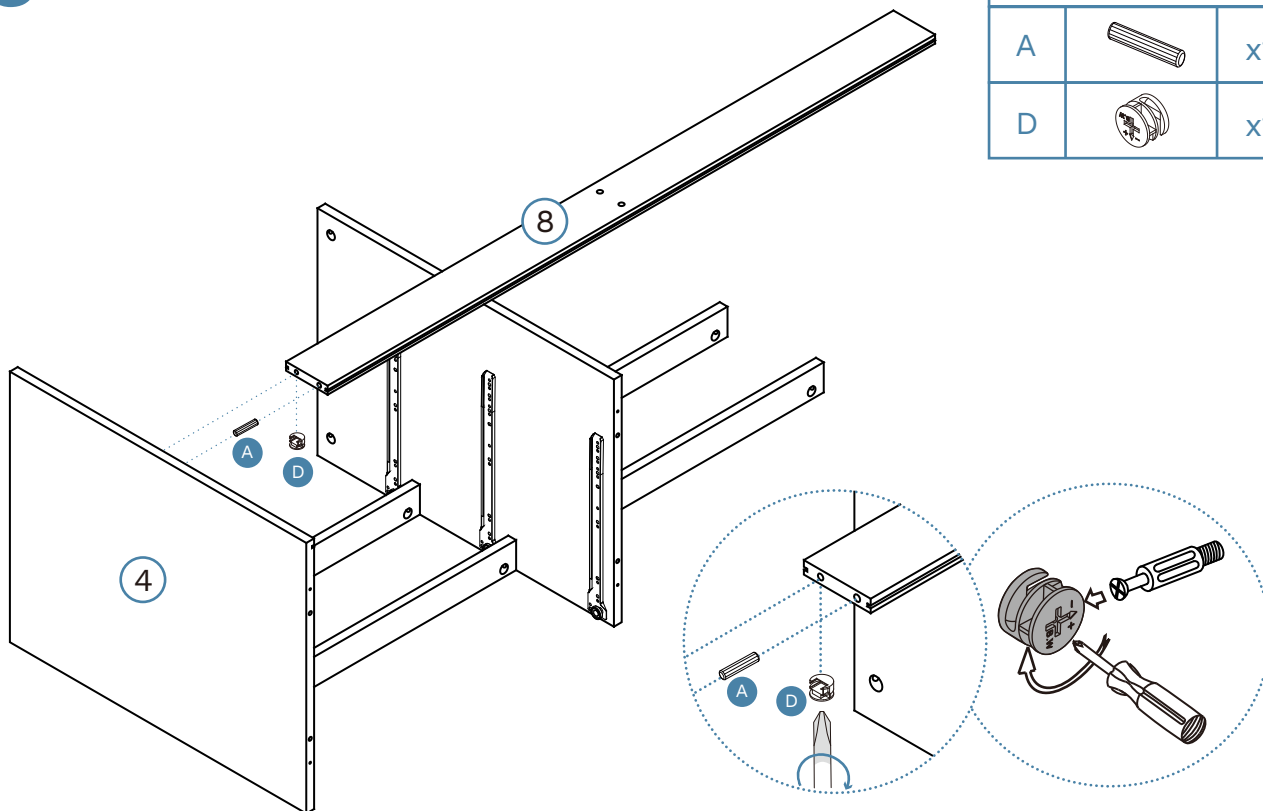
Six Drawer

5



Hardware Needed		
A		x2
D		x2

6

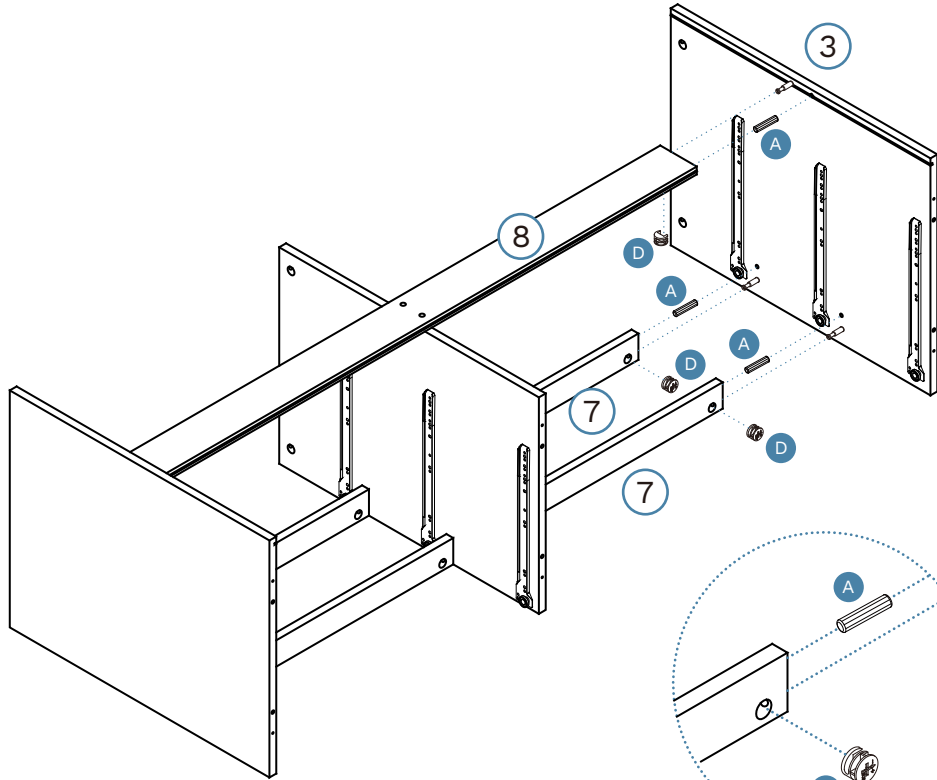




Hardware Needed		
A		x1
D		x1

Canyon

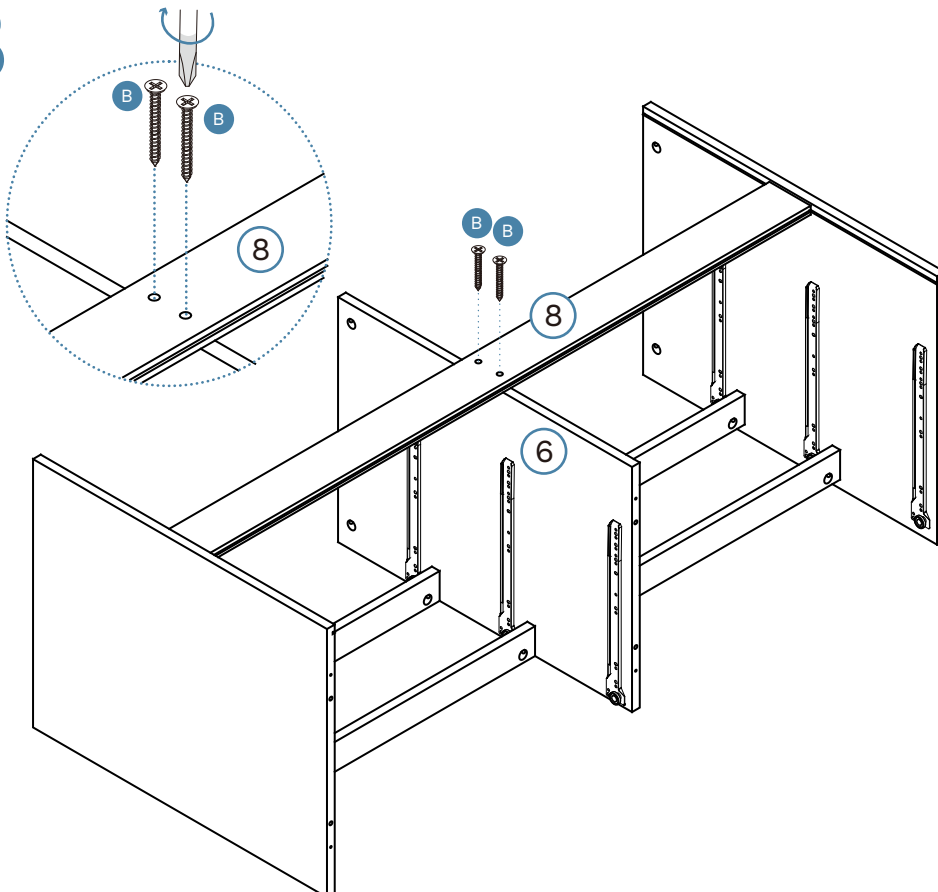
Six Drawer


7



Hardware Needed		
A		x3
D		x3

8

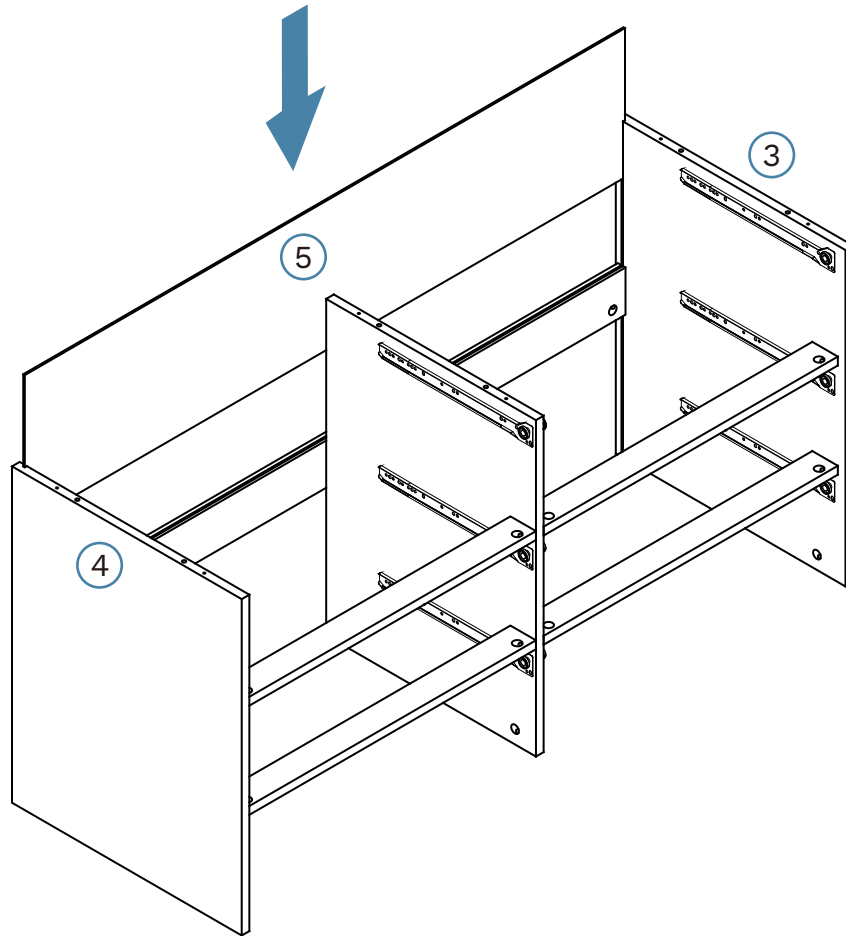


Hardware Needed		
B		x2

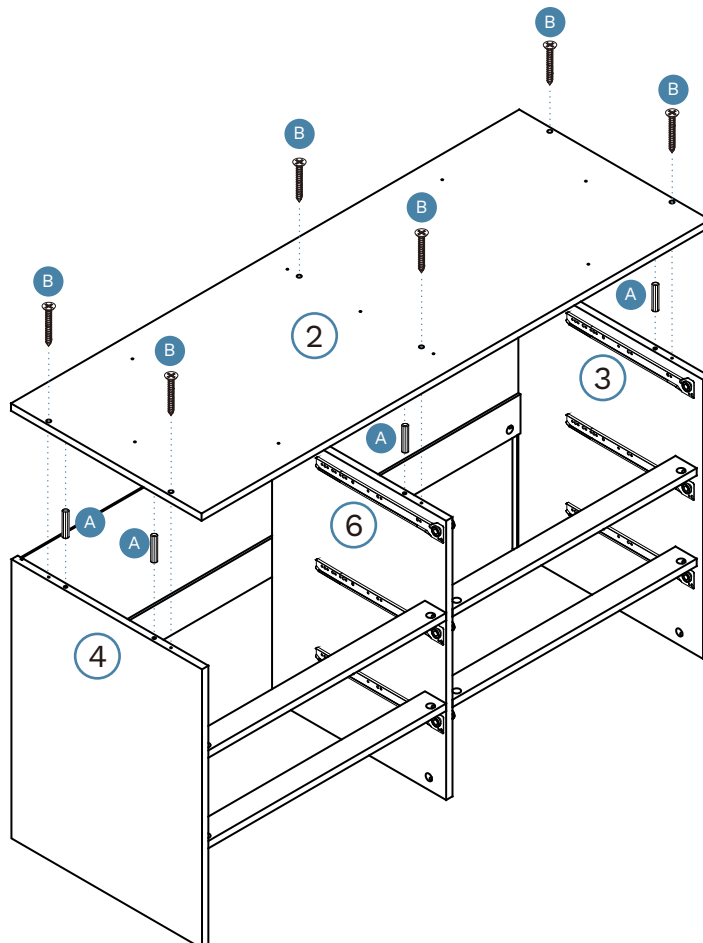
Canyon



Six Drawer

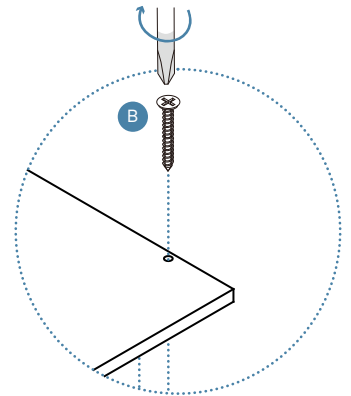
9



10



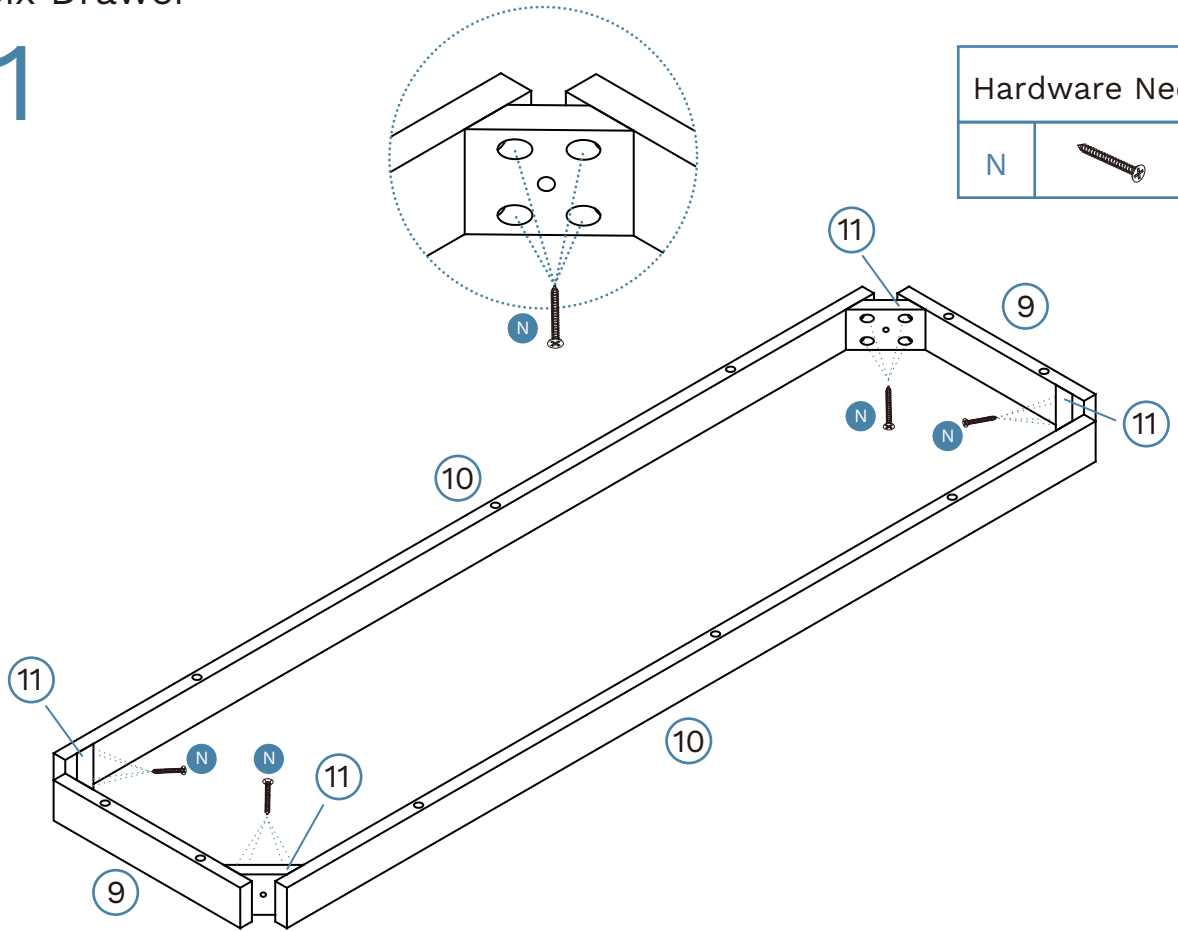
Hardware Needed		
A		x6
B		x6



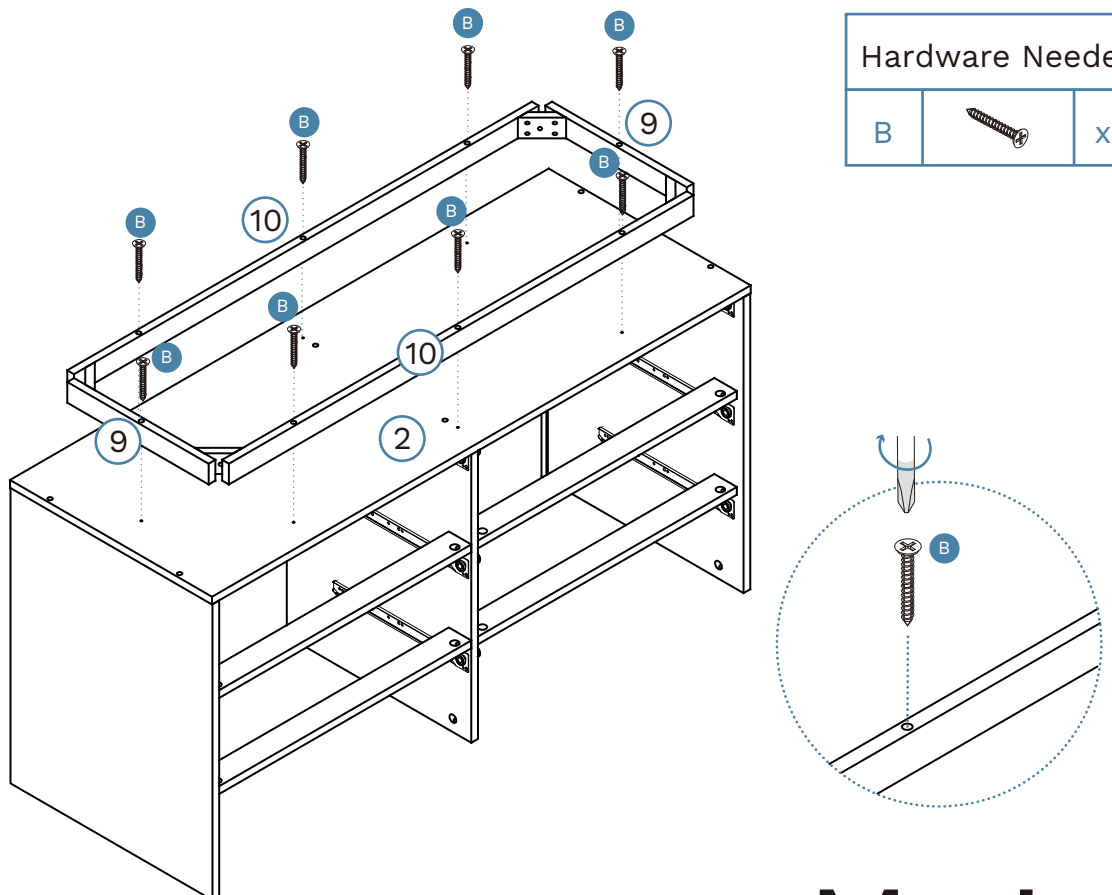
Canyon

Six Drawer

11



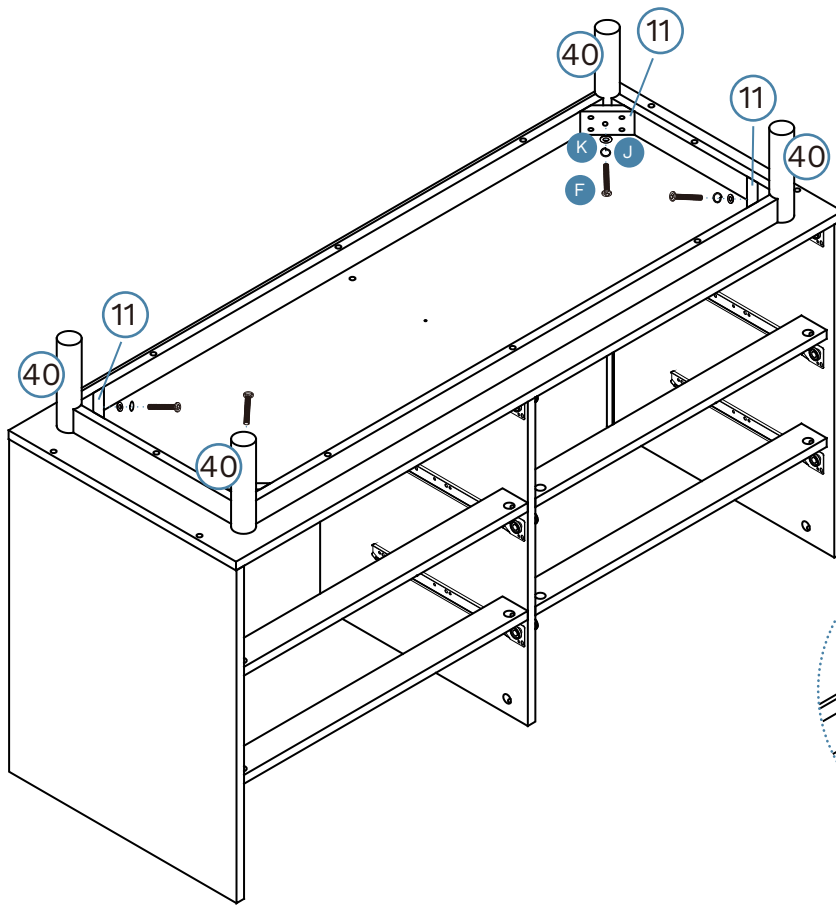
12







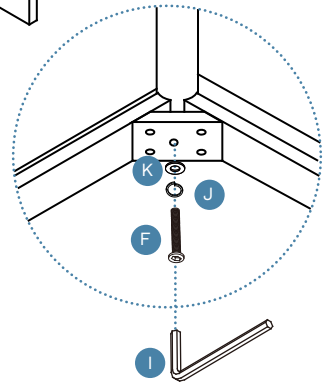
Canyon

Six Drawer

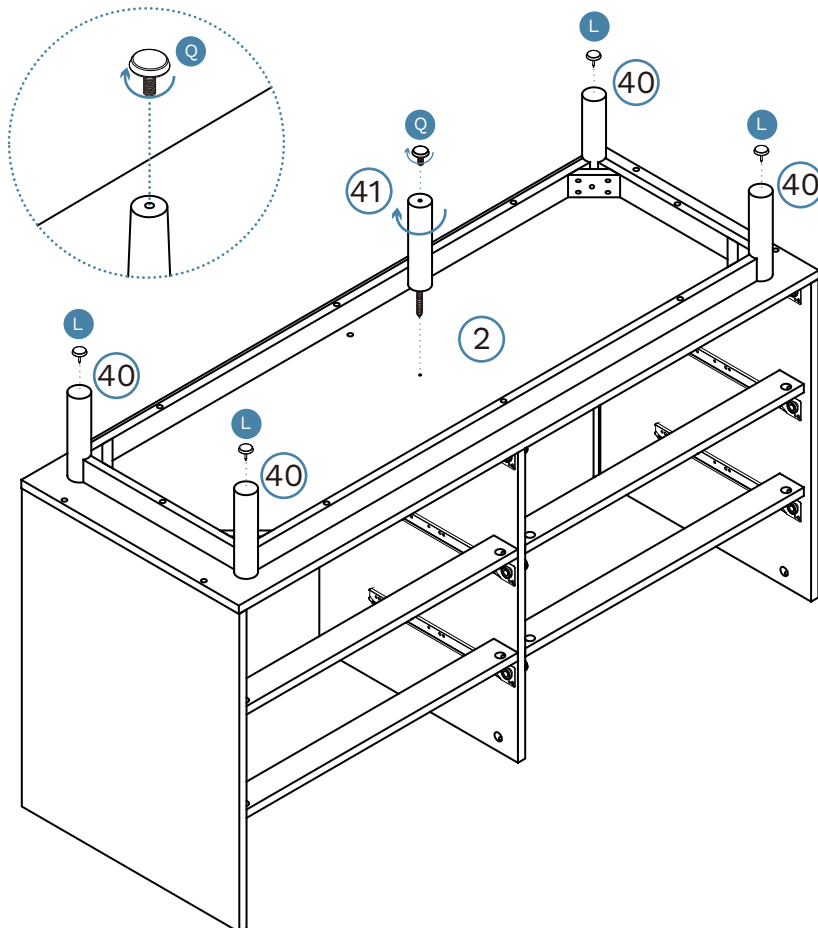
13





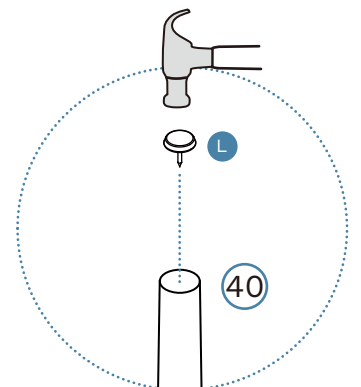
Hardware Needed		
F		x4
I		x1
J		x4
K		x4



14



Hardware Needed		
L		x4
Q		x1



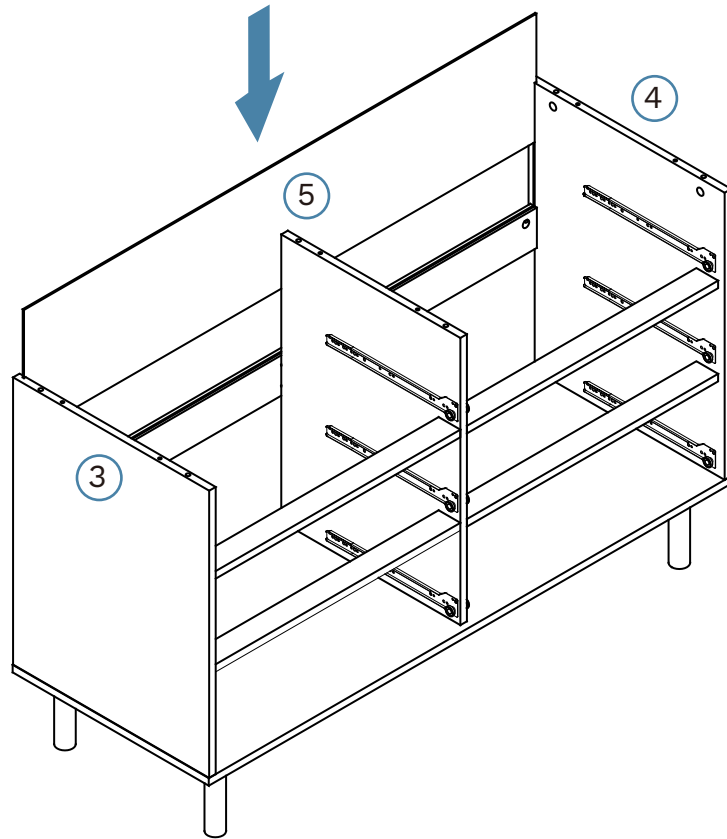
Turn Over

Mocka.

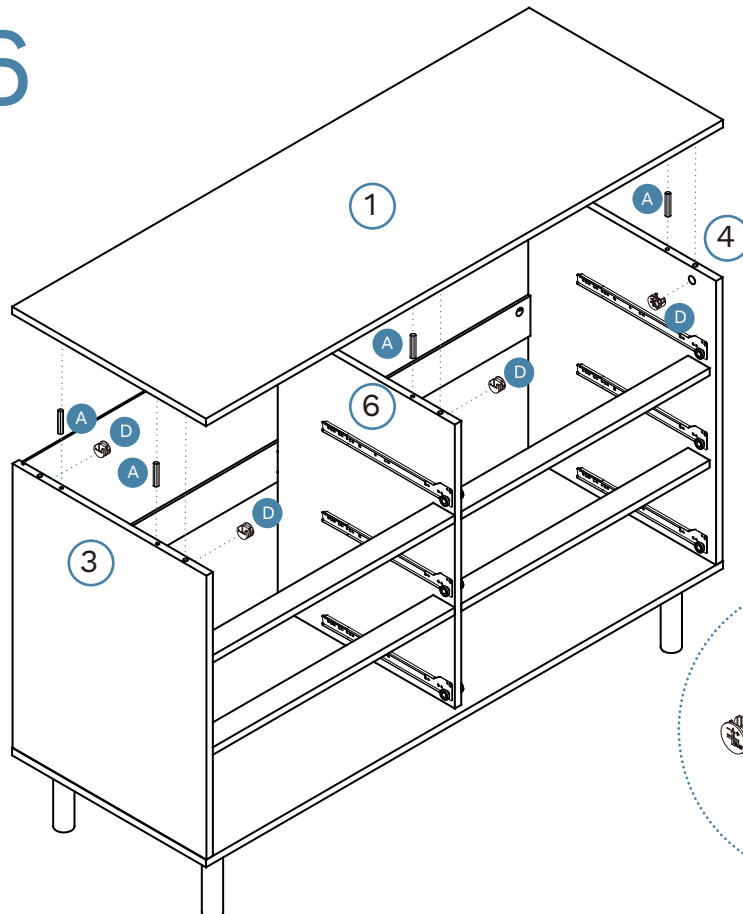
Canyon



Six Drawer

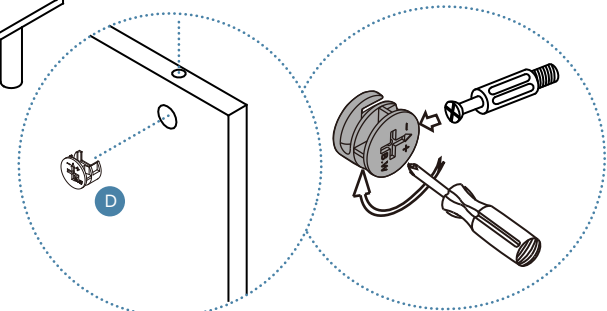
15



16



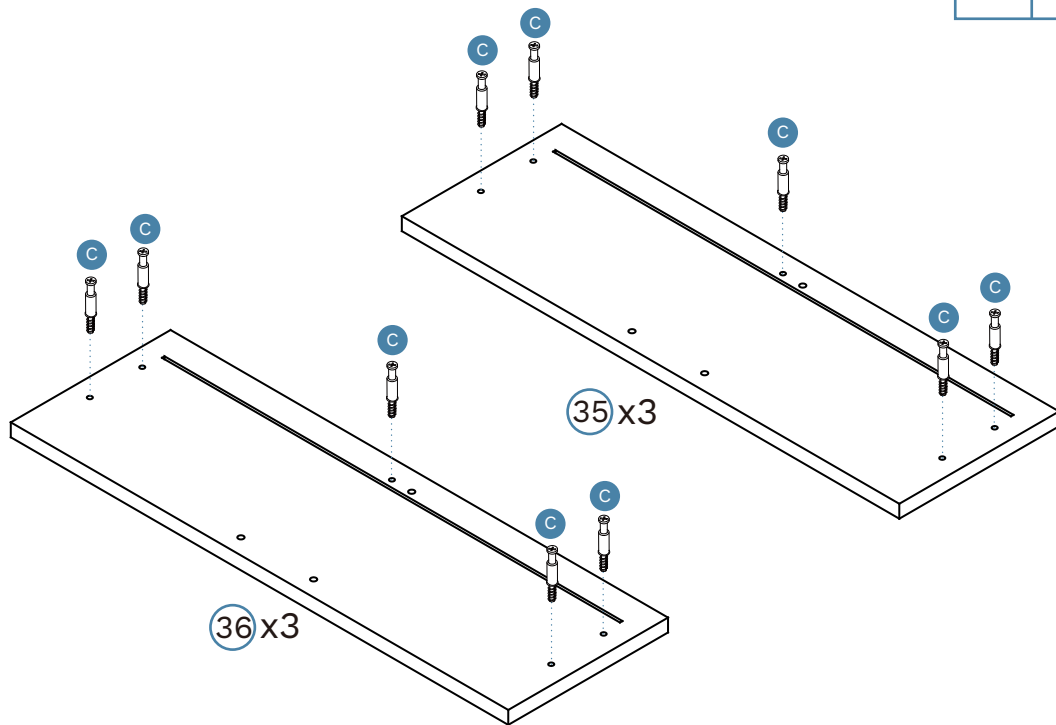
Hardware Needed		
A		x6
D		x6




Canyon

Six Drawer

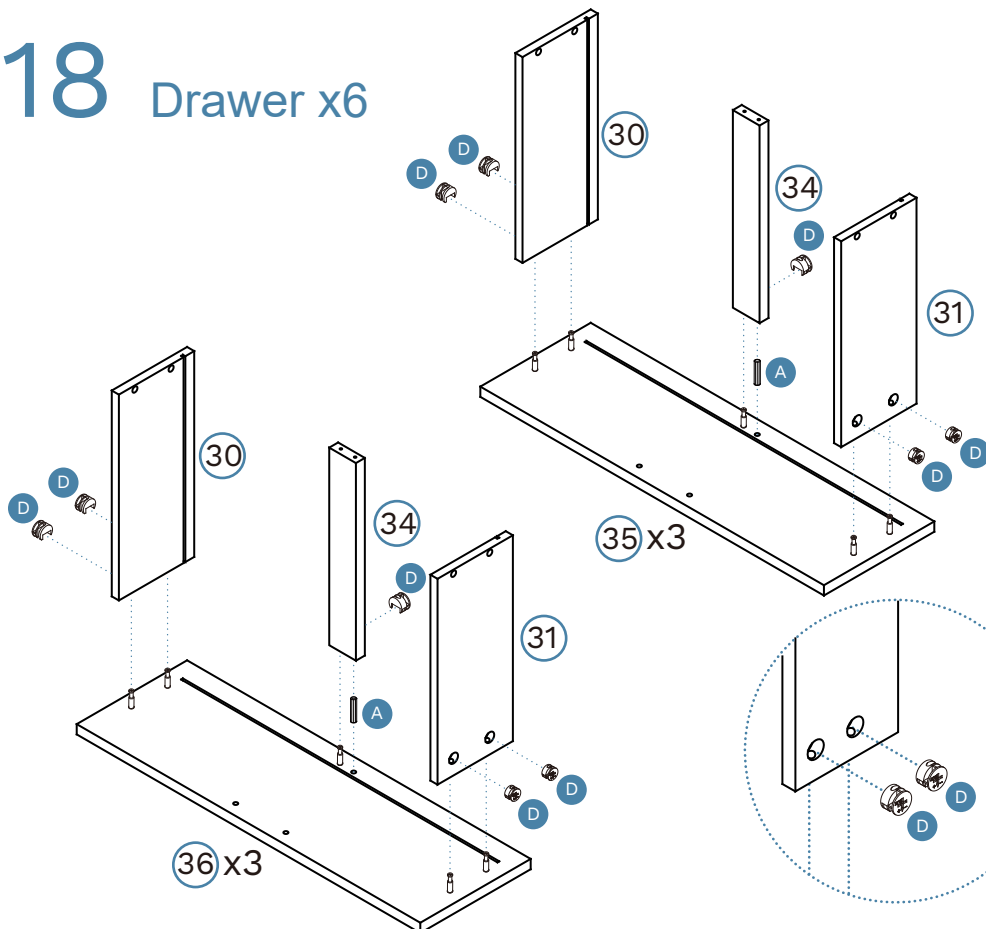
17 Drawer x6





Hardware Needed

C		x30
---	---	-----

18 Drawer x6



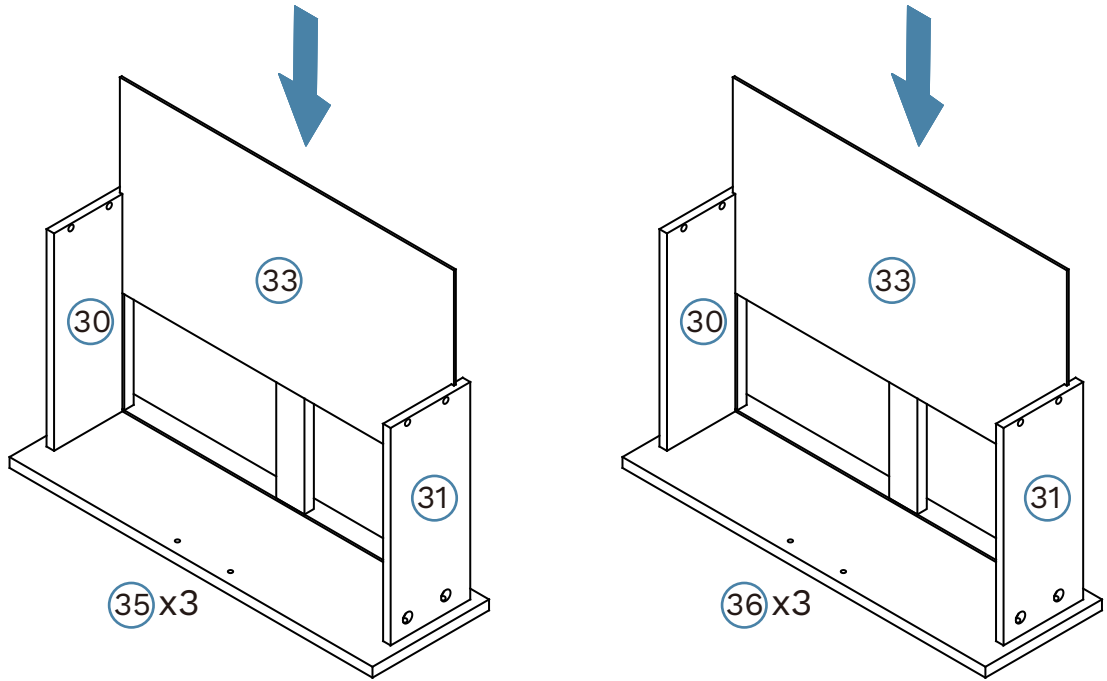
Hardware Needed

A		x6
D		x30

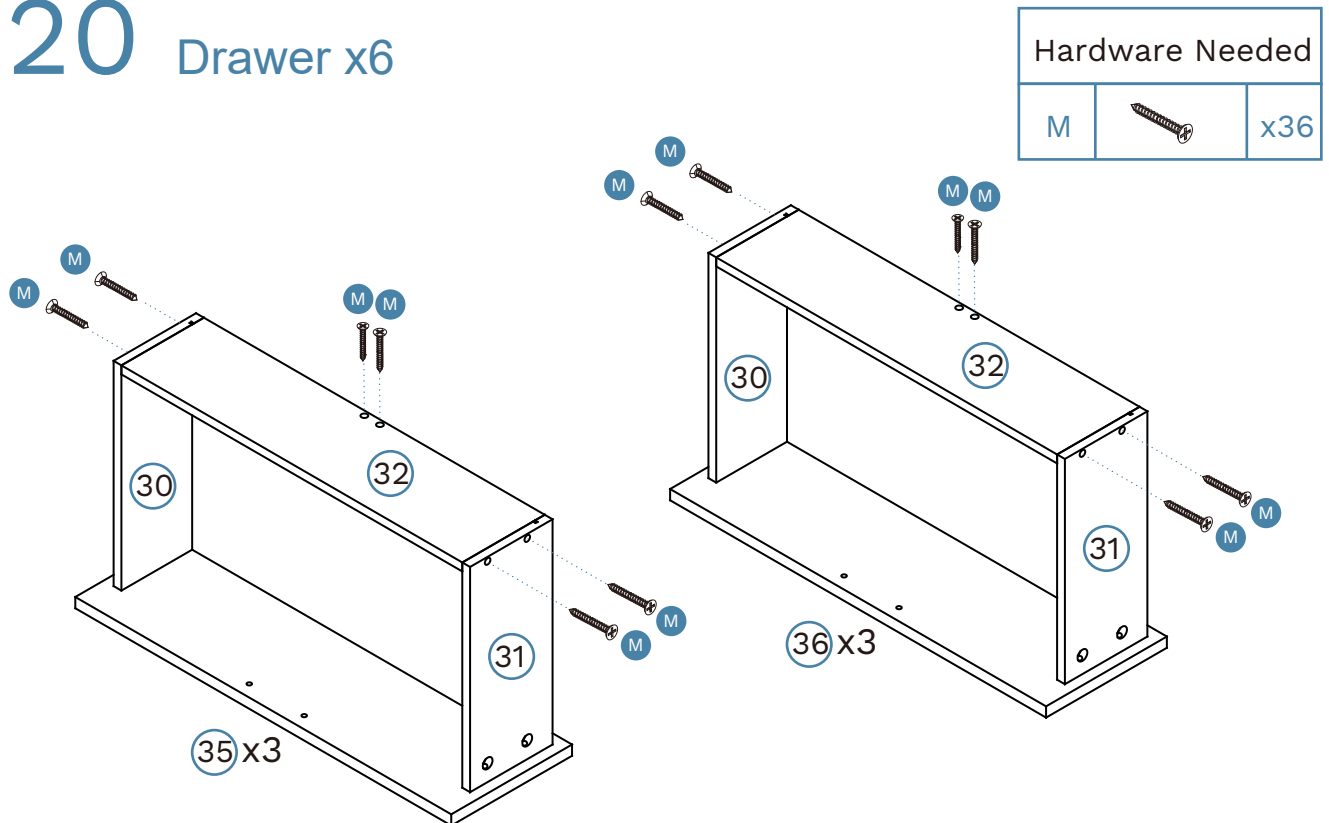
Canyon

Six Drawer

19 Drawer x6



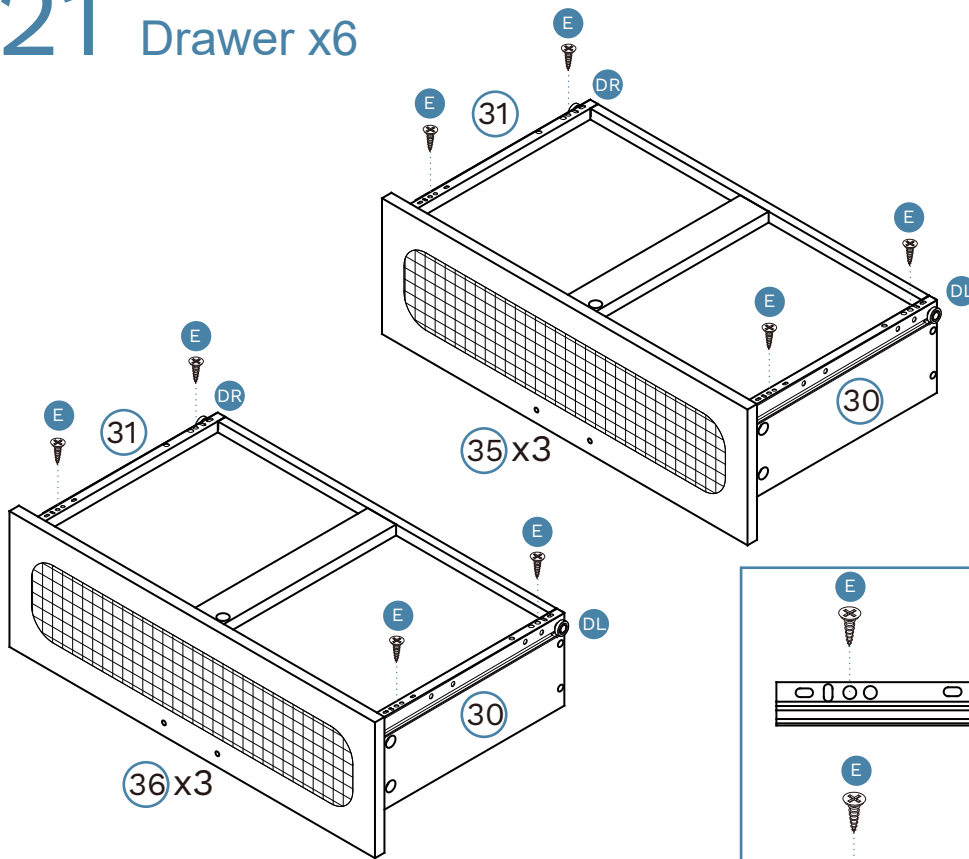
20 Drawer x6






Canyon

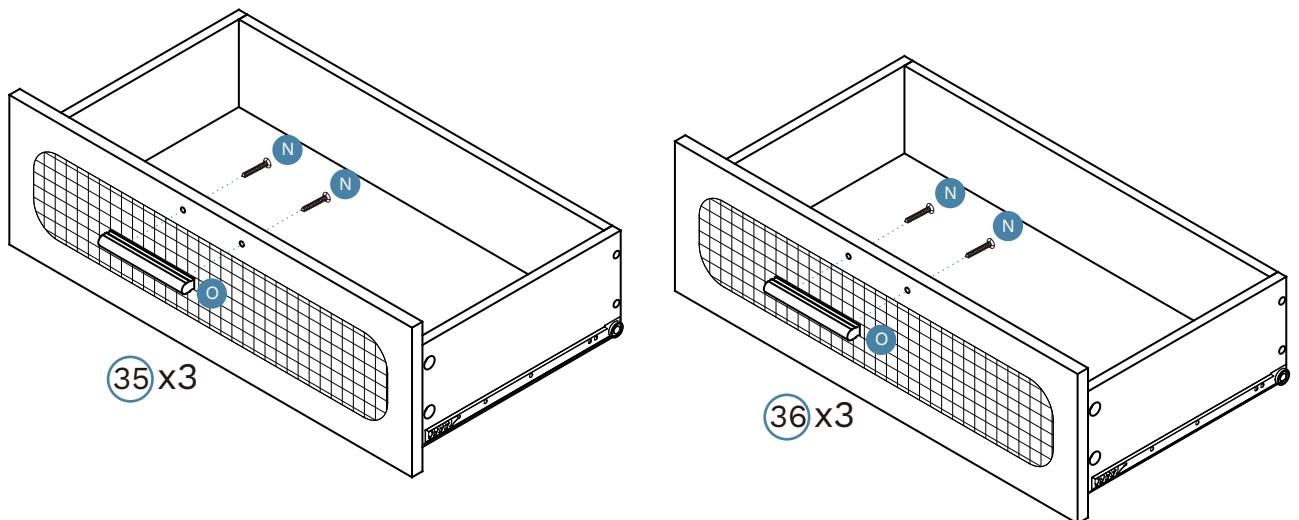
Six Drawer



21 Drawer x6



Hardware Needed		
E		x24
DL		x6
DR		x6

22 Drawer x6

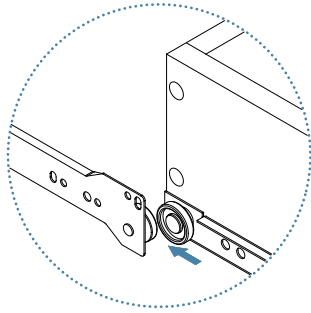


Hardware Needed		
N		x12
O		x6

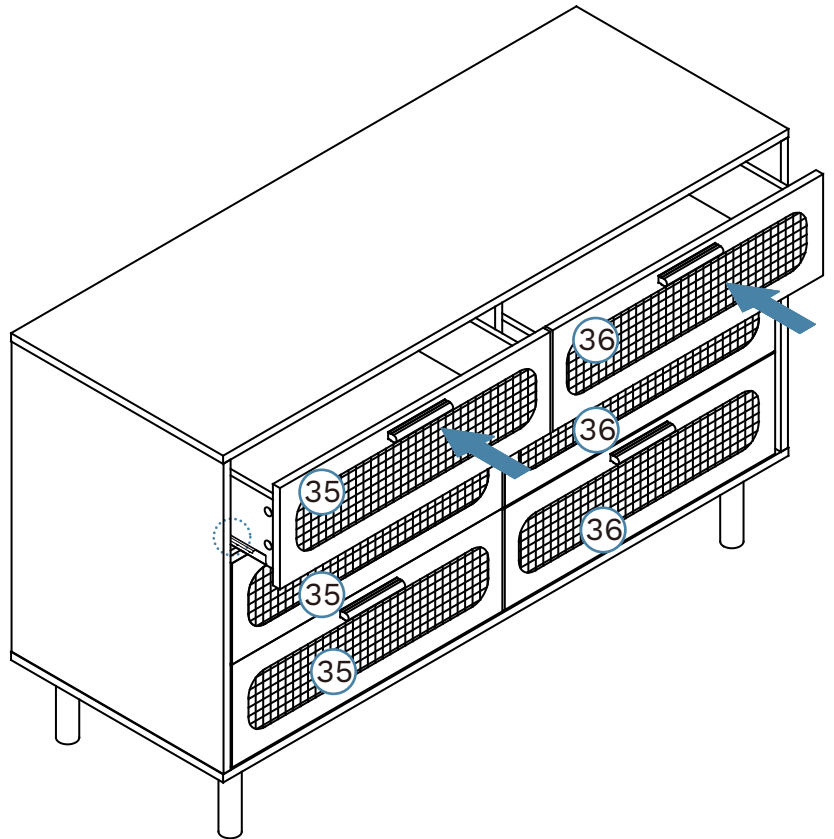
Canyon

Six Drawer

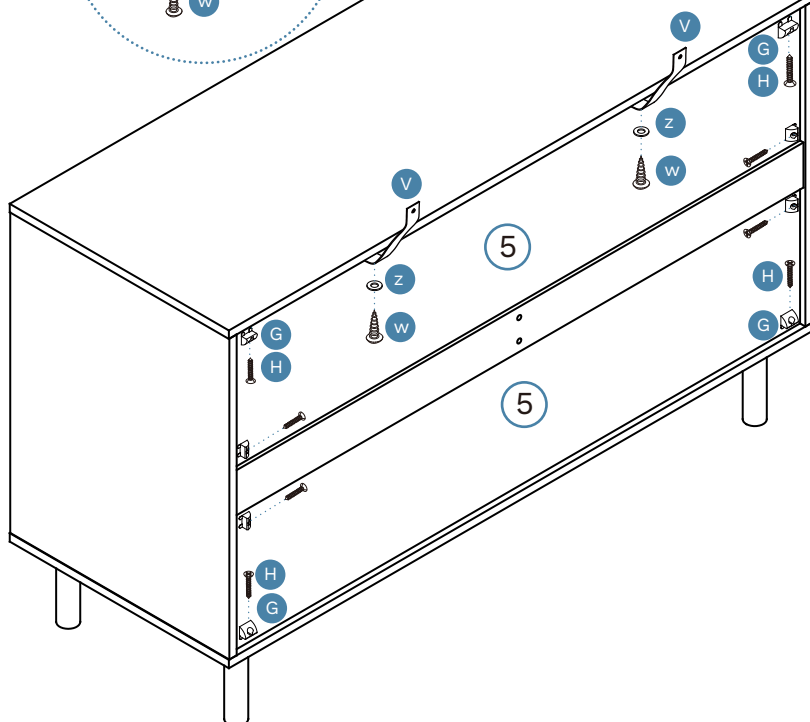
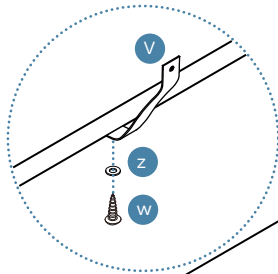
23



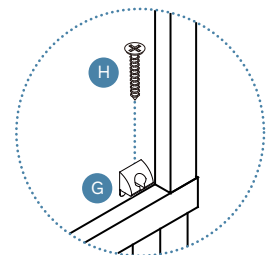
Carefully insert the drawers into the unit by gently guiding the runners into the tracks.



24



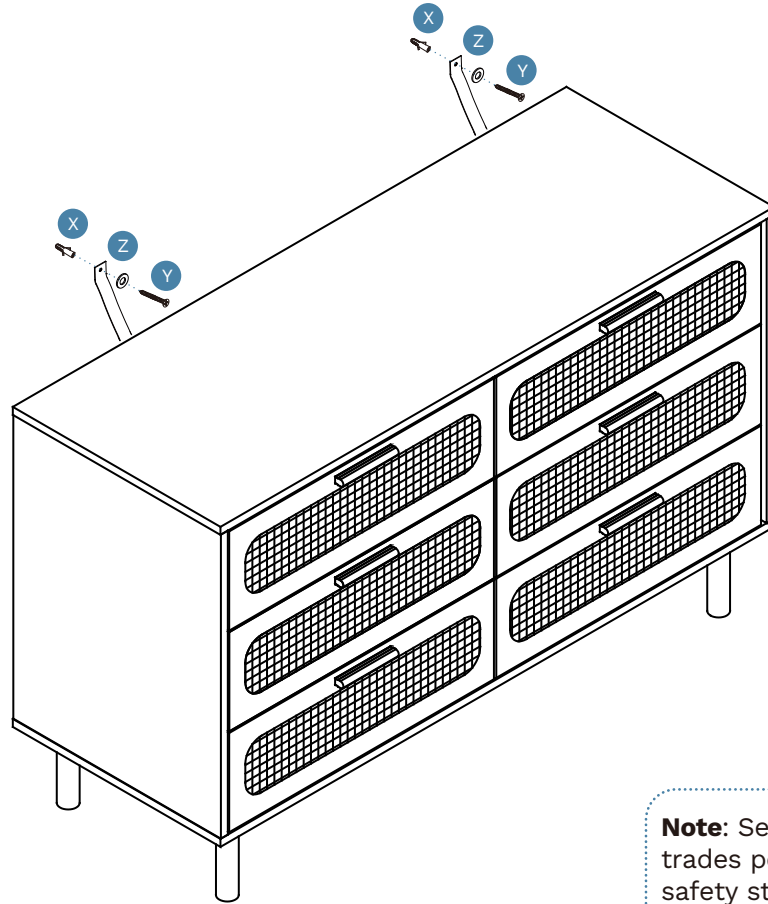
Hardware Needed		
G		x8
H		x8
V		x2
W		x2
Z		x2



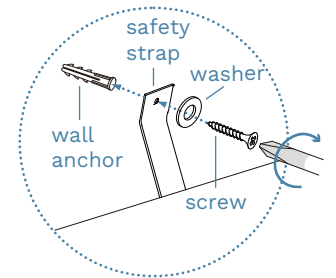
Canyon

Six Drawer

25

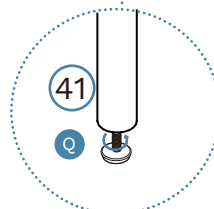
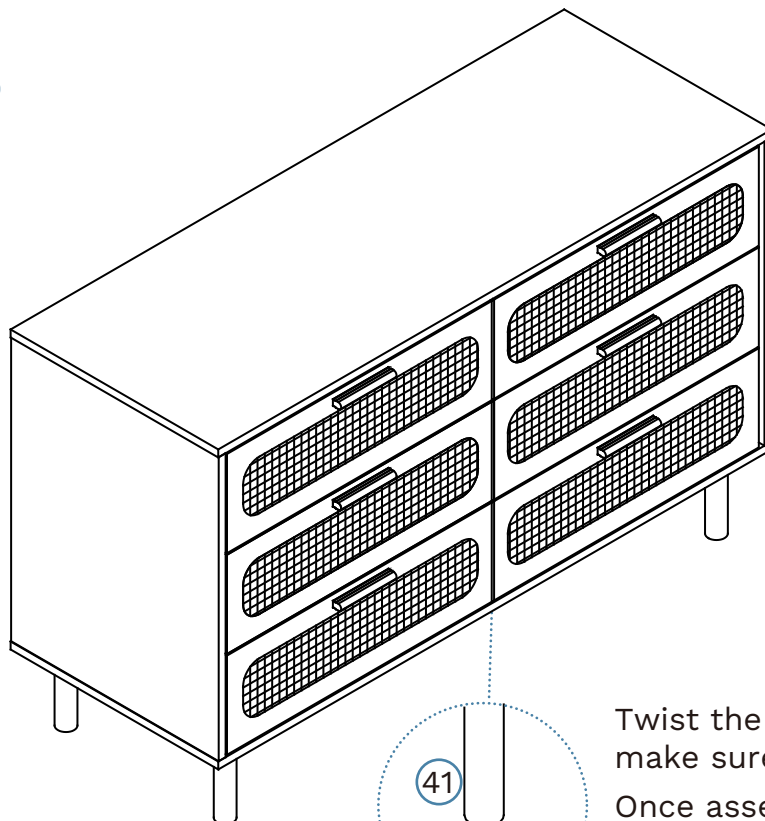


Hardware Needed		
x		x2
Y		x2
Z		x2



Note: Seek advice from a qualified trades person on how to attach this safety strap to your specific wall.

26



Twist the adjuster on centre leg to make sure the top panel is flush. Once assembled lift furniture into place, do not drag. You're done, enjoy!